



# ASSEMBLY INSTRUCTION

## speakON® Chassis Connector NL4MDXX-H-2 & NL4MDXX-H-3



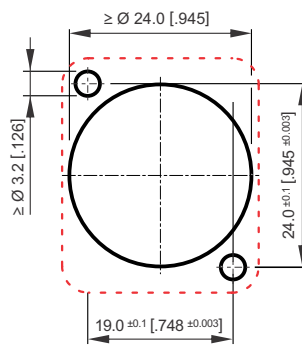
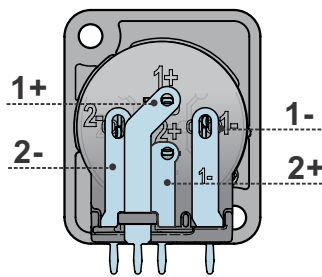
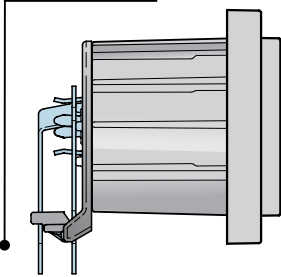
**ATTENTION:**  
speakON® is NOT to be used as an mains or power supply connector!

### A ASSEMBLY INFORMATION

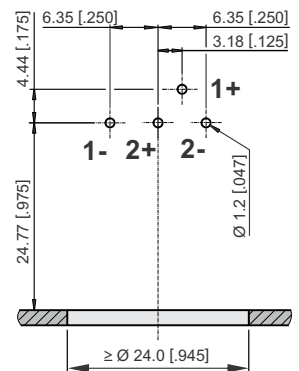
- 1 CONNECTION**
- 2 WIRING**
- 3 PANEL CUTOUT (Rear Side)**
- 4 PCB Layout (Component Side)**

#### NL4MDXX-H-2

Horizontal PCB

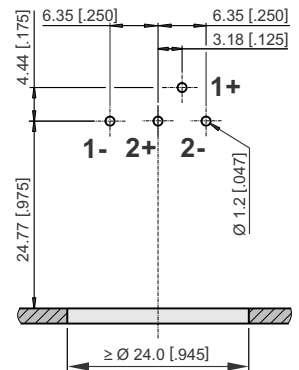
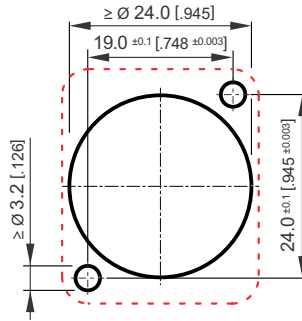
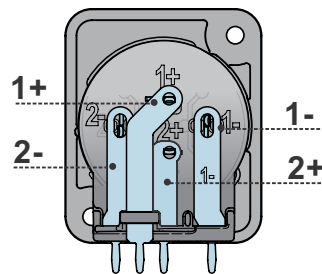
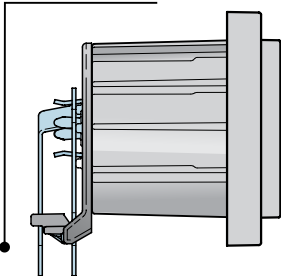


Tolerance ±0.05 [±.002]



#### NL4MDXX-H-3

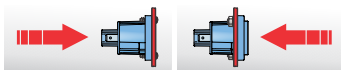
Horizontal PCB



### MOUNTING



**ATTENTION**  
Maximum allowable torque  $M_A$



(screws not included)	Rear assembly	Front assembly
<b>NL4MDXX-H-2</b> Mirrored self-tapping screw holes for Neutrik A-screw (rear mount only)	<b>90 Ncm</b>	-
<b>NL4MDXX-H-3</b> Standard orientation self-tapping screw holes for Neutrik A-screw (rear mount only)	<b>90 Ncm</b>	-

### B More Information on the [www.neutrik.com](http://www.neutrik.com)

<https://www.neutrik.com/products/audio/speakon>



Neutrik AG LI T: +423 / 237 24 24 F: +423/232 53 93  
 Neutrik USA Inc. USA T: +1 704 / 972 3050 F: +1 704/438 9202  
 Neutrik (UK) Ltd. UK T: +44 1983 / 811 441 F: +44 1983/811 439  
 Neutrik Vertriebs GmbH DE/NL/AT/DK T: +49 8131 / 280 890 F: +49 8131/280 830

Neutrik France FR T: +33 1/4131 6750 F: +33 1/4131 0511  
 Neutrik Tokyo Ltd. JP T: +81 3/3663 4733 F: +81 3/3663 4796  
 Neutrik Hong Kong Ltd. HK T: +852/2687 6055 F: +852/2687 6052  
 Neutrik India Pvt. Ltd. IND T: +91/982 05 43 424 F: +91/22 26163 540

Draft. Nr.: BDA 595 V1 | Update: 2020-05-20 | Data subject to change without prior notice. ©2020 NEUTRIK®. ALL RIGHTS RESERVED. NEUTRIK® are registered trademark.