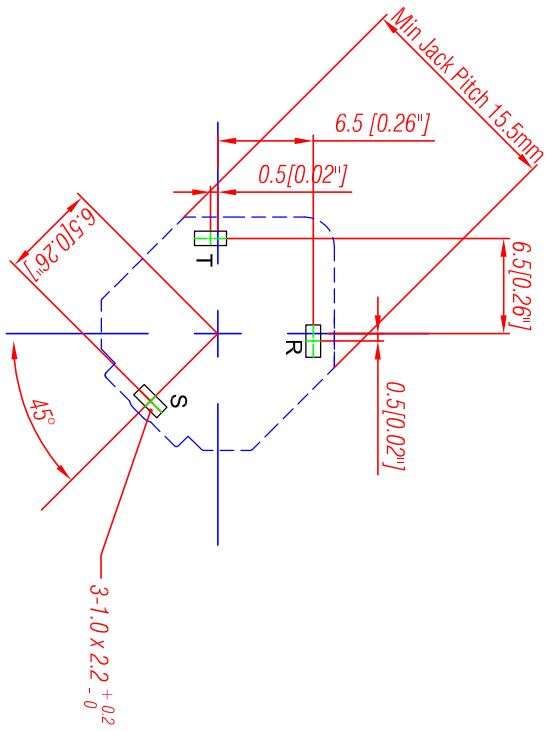
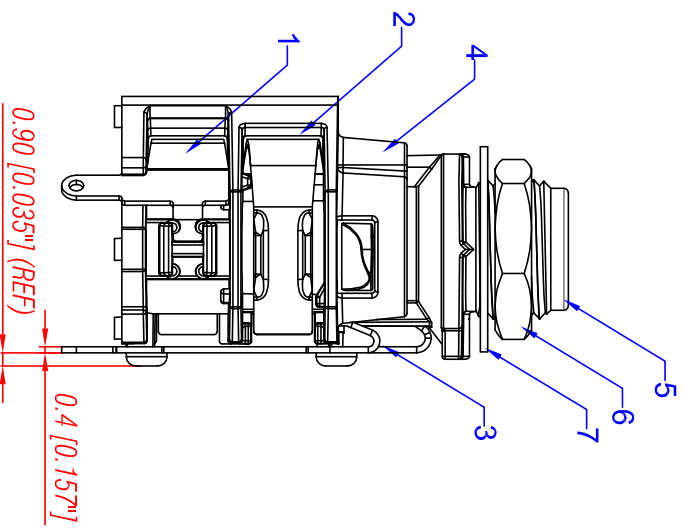
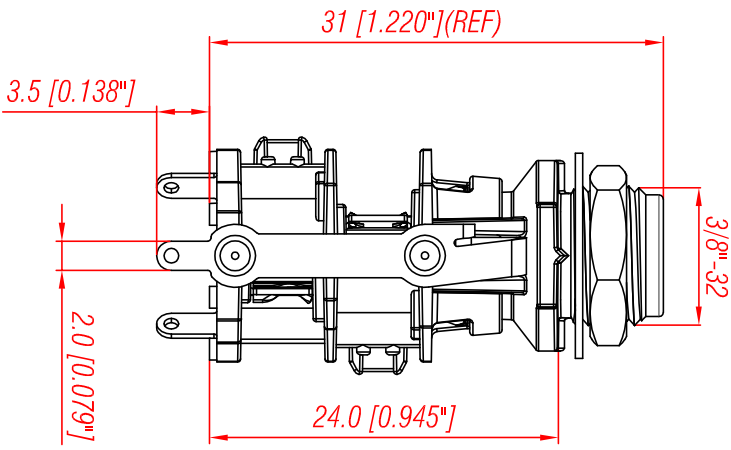
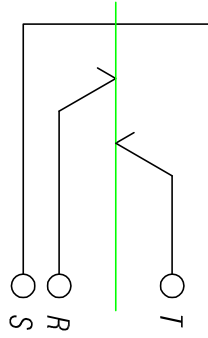


7	WASHER	BRASS, NICKEL PLATED
6	NUT	BRASS, NICKEL PLATED
5	NOSE THREAD	ZINC ALLOY, NICKEL PLATED
4	PLASTIC HOUSING	PA6 + GF30%
3	SLEEVE CONTACT	PHOSPHOR BRONZE, SILVER PLATED
2	RING CONTACT	PHOSPHOR BRONZE, SILVER PLATED
1	TIP CONTACT	PHOSPHOR BRONZE, SILVER PLATED
NO	PART NAME	MATERIAL



PCB LAYOUT (COMPONENT SIDE)



Rev.	Revision Details	Date	Name	THIS DOCUMENT IS THE PROPERTY OF HEINRICH NO PART THEREOF MAY BE REPRODUCED AND USED WITHOUT THE PRIOR WRITTEN CONSENT OF THE OWNER	Material:  Scale: 2 : 1	Designer: 2014.03.06 Wang XM	Date: 2014.03.06 Wang XM
				Title:  <b>RJ3VM-S</b>	Replaced By: 1	Replaces: 1	Drawing No.:
				<b>REAN</b>	Replaced By: 1	Replaces: 1	Drawing No.: