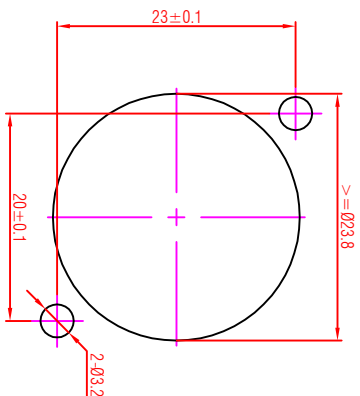
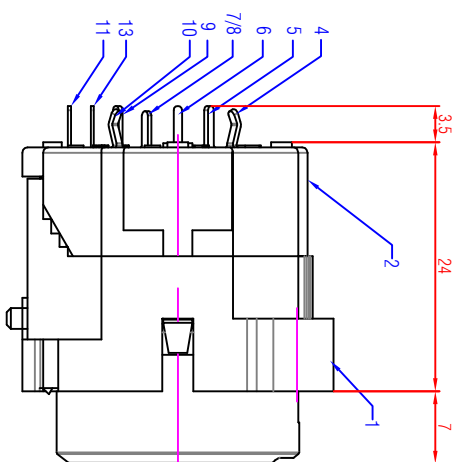
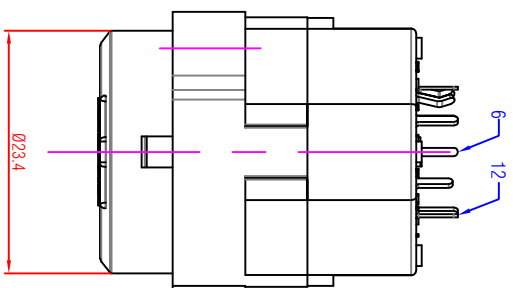
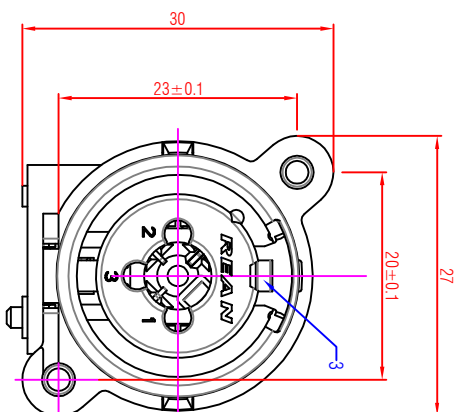
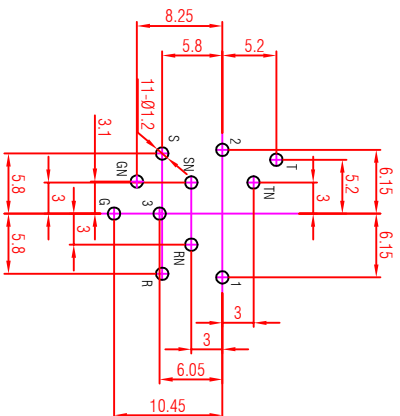


PANEL CUTOUT (FRONT SIDE)

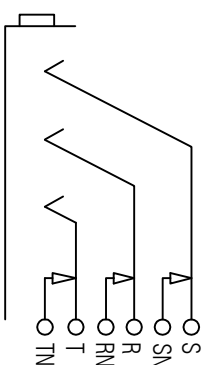


PCB LAYOUT (COMPONENT SIDE)

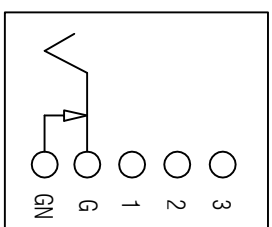


NORMALLING-SCHIEMES

JACK-NORMALLING



XLR



13	CONTACT (GN)	PHOSPHOR BRONZE, SILVER PLATED
12	CONTACT (I)	PHOSPHOR BRONZE, Ni+Au+Sn PLATED
11	GROUND CONTACT (G)	PHOSPHOR BRONZE, SILVER PLATED
10	CONTACT (S)	PHOSPHOR BRONZE, SILVER PLATED
9	CONTACT (R)	PHOSPHOR BRONZE, SILVER PLATED
8	CONTACT (RN)	PHOSPHOR BRONZE, SILVER PLATED
7	CONTACT (SN)	PHOSPHOR BRONZE, SILVER PLATED
6	CONTACT (2&3)	PHOSPHOR BRONZE, Ni+Au+Sn PLATED
5	CONTACT (TN)	PHOSPHOR BRONZE, SILVER PLATED
4	CONTACT (T)	PHOSPHOR BRONZE, SILVER PLATED
3	SPRING	STEEL, HEAT TREATMENT
2	COVER	PA6
1	HOUSING	PA6
NO	PART NAME	MATERIAL

Rev.	Revision Details	Date	Name

<p>THIS DOCUMENT IS THE PROPERTY OF RIEGLAN. NO PART THEREOF MAY BE REPRODUCED AND USED WITHOUT THE PRIOR WRITTEN CONSENT OF THE OWNER.</p>		Material:	Scale:
<p>RCJ10FI-V-0</p>		2 : 1 (A3)	
Designer:	2014.10.28	Xia HP	
Checked:	2014.10.28	Avraham	
Approved:			
Replaced By:			
Replaces:			



Drawing No: 1